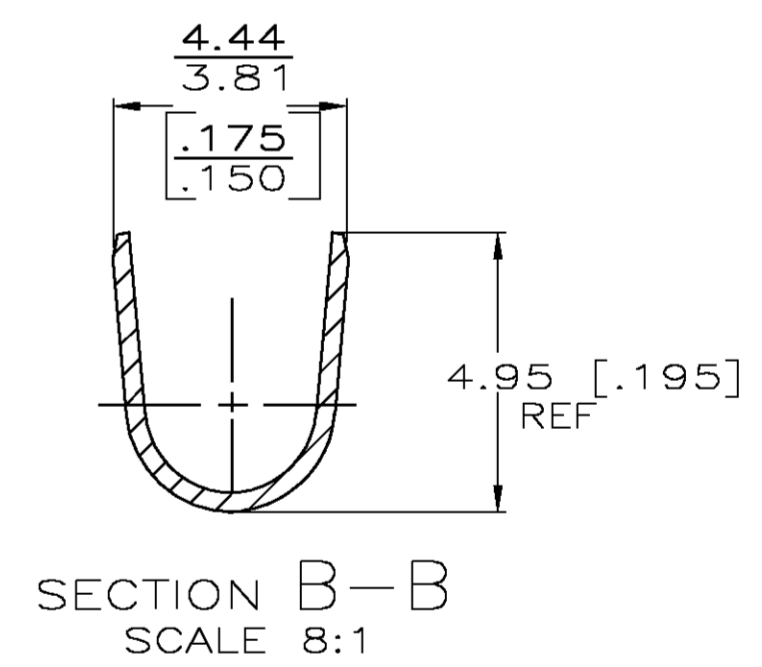
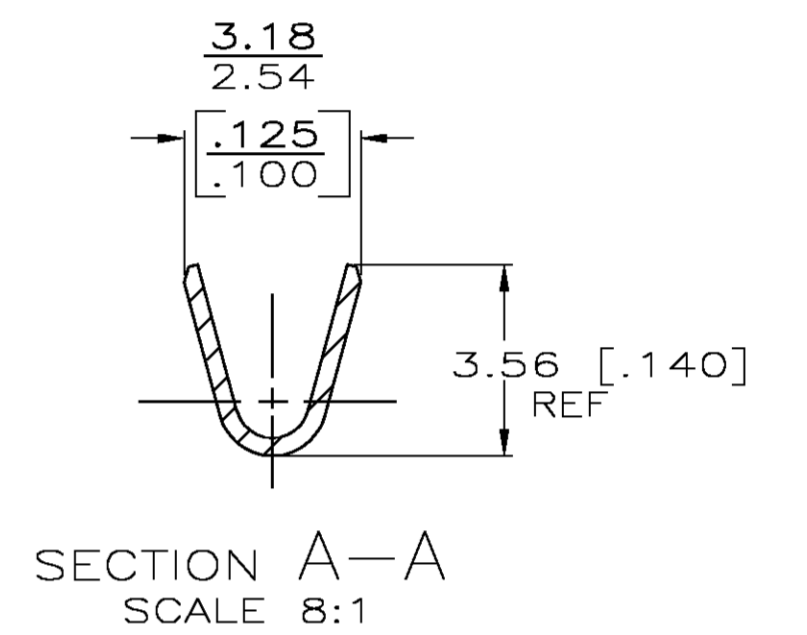
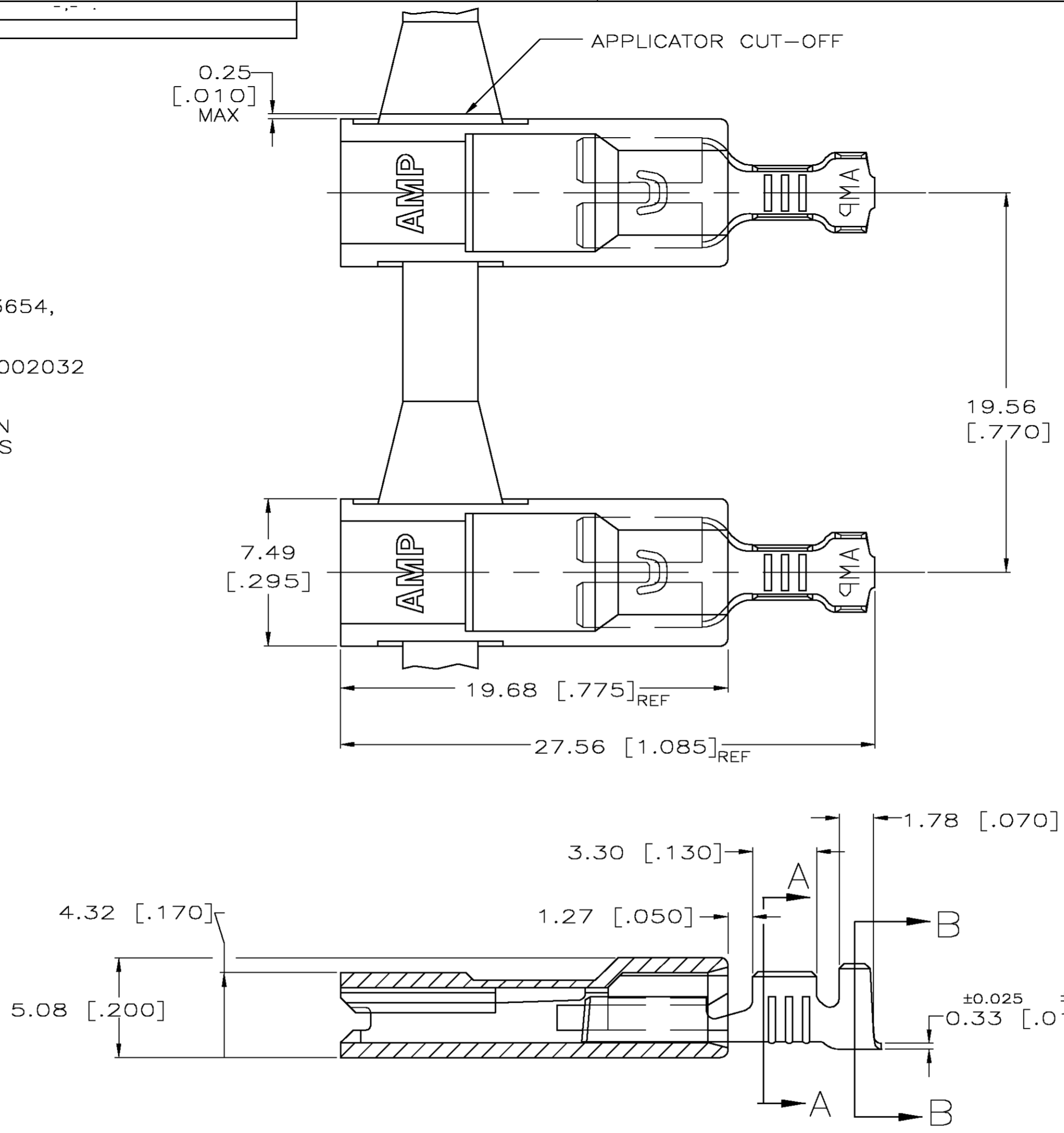


THIS DRAWING IS UNPUBLISHED. RELEASED FOR PUBLICATION
 © COPYRIGHT BY TYCO ELECTRONICS CORPORATION. ALL RIGHTS RESERVED.

LOC	DIST	REVISIONS					
AF	50	P	LTR	DESCRIPTION	DATE	DWN	APVD
		M		REV PER 0G3A-0194-05	22JUN05	JR	GP



- 1 FASTON TERMINALS, BASE P/N 63654, ARE USED IN THIS PRODUCT.
- 2 TIN PLATE PER MIL-T-10727, 0.002032 [.000080] MIN.
- 3 MATERIAL: HOUSING - 6/6 NYLON
TERMINAL - H04 BRASS
- 4 FINISH: SEE TABLE

OBSOLETE	BULK	NATURAL	PLAIN	2.29-3.30 [.090-.130]	0.5-1.3 mm ² [20-16]	0.813 [.032]	MATING TAB THK ±0.025 [±.001]	-5-520982-1
	STANDARD	BLACK	PLAIN					520982-8
		NATURAL	TIN 2					520982-2
		NATURAL	PLAIN					520982-1
PACKAGING	HOUSING COLOR	TERMINAL FINISH	INSULATION RANGE	WIRE SIZE	PART NO.			

THIS DRAWING IS A CONTROLLED DOCUMENT.

DIMENSIONS: MM [INCHES]	TOLERANCES UNLESS OTHERWISE SPECIFIED:	DWN JR RUTH 12/6/90	Tyco Electronics Corporation Harrisburg, Pa 17105-3608
	0 PLC ± -	CHK MS FEHER 12/6/90	
	1 PLC ± -	APVD R KUZO 12/6/90	
	2 PLC ± -	PRODUCT SPEC 118-1285	
MATERIAL	3 PLC ± 0.25 [.010]	APPLICATION SPEC 114-2124	NAME
	4 PLC ± -	WEIGHT -	ASSEMBLY, RECEPTACLE, ULTRA-POD, 4.8 [.187] SERIES
	ANGLES ± -	CUSTOMER DRAWING	SIZE A2
	FINISH	SCALE 5:1	CAGE CODE 00779
		SHEET 1 OF 1	DRAWING NO C=520982
		REV M	RESTRICTED TO